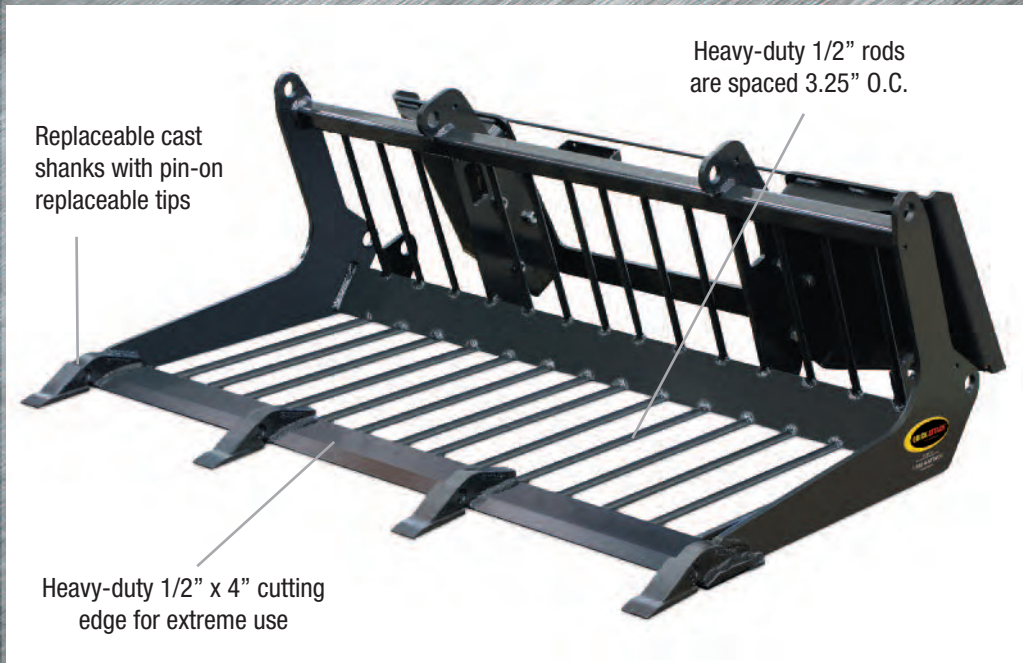




# Quick Pick-n-Sift™ Mini Rod Bucket

Quick Pick-n-Sift Mini  
#900671



## FEATURES

- Grade 50 steel teeth nearly 40% stronger than regular steel
- Rugged tool great for landscaping, demolition, roots, rocks, brush, debris, and other difficult-to-grasp material
- Designed for digging out materials from demolition work
- Combing and grooming the ground screening material

## Rock-n-Roll...

This tool is perfect for picking or sifting both large and small rocks – for landscaping, site prep, or on the farm use.

### AVAILABLE OPTIONS

- Available Mounting Kits:
- ASV/Terex (RC/PT30)
  - Bobcat (MT-52/55, 463/S70)
  - Toro Dingo / Vermeer / Boxer / Ditch Witch / Ramrod / Kanga
  - Universal Mounting Plate for skid steers with up to 1000# R.O.C. (rated operating capacity) and within rated flow

### STANDARD SPECIFICATIONS

|                           |        |
|---------------------------|--------|
| Weight                    | 200#   |
| Overall Width             | 49.75" |
| Width Between Rods        | 2.75"  |
| Width Between Lower Teeth | 14.25" |
| Digging Teeth Lower (qty) | 4      |



**1-866-428-8224**

**www.quickattach.com**



**F.O.B. THE FACTORY**